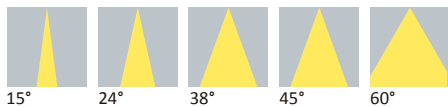


Datasheet

# LL01ZZ-DUG××L02-M2

## Available Distribution



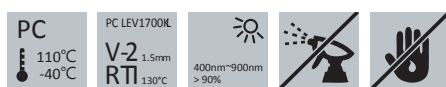
## LED



## Recommad Applications



## General Information



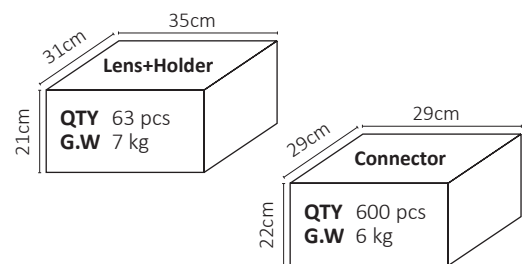
- Lens Material    PC LEV1700KL
- Operating Temperature    -40°C~+110°C
- UL Flammability    V-2 @1.5mm
- UL RTI Elec    130°C @1.5mm
- Light Transmission Rate    400nm~900nm > 90%
- ☑ If necessary, Clean lenses with mild soap, water and soft cloth.
- ⚠ Never use any commercial cleaning solvents on lenses, like alcohol.
- 🧤 Please handle or install lenses with wearing gloves, skin oils may damage lens or its optical characteristic.

## Dimensions

Part Number	Diameter	Height
LL01ZZ-DUG××L02-M2	Ø86.9	19.4

\*All dimensions are in millimeters.

## Packaging Details (SPQ)



## Accessories



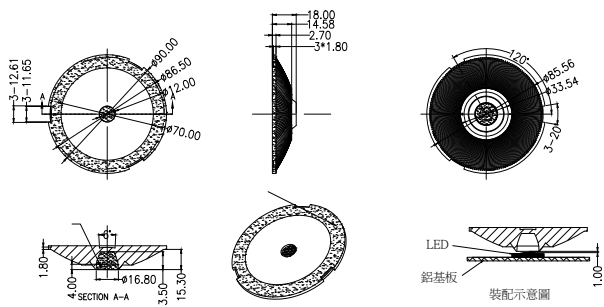
- Available with Holder  
LL01ZZAAG90H2
- Available with Connector  
LL90A00SWBB2 (CREE CXA1520)  
LL90A00SWAB2 (CREE CXA1820)  
LL90A00SVSB2 (CITIZEN CLU038)

# Mechanical Specification

\*All dimensions are in millimeters.

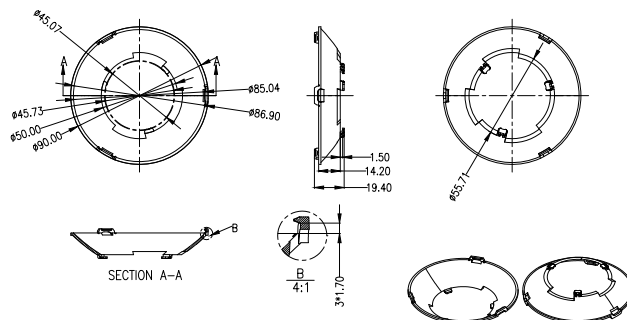
## Lens Dimension

LL01ZZ-DUG××L02



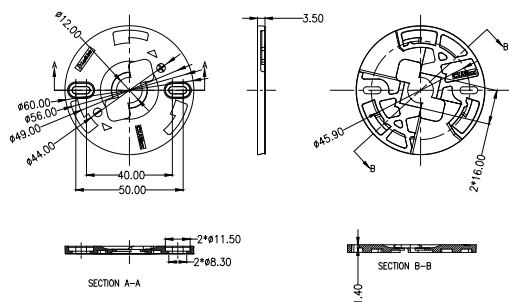
## Holder Dimension

LL01ZZAAG90H2



## Connector Dimension

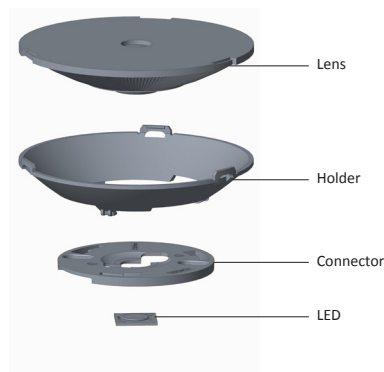
LL90A00SWBB2



## Assembly Instruction

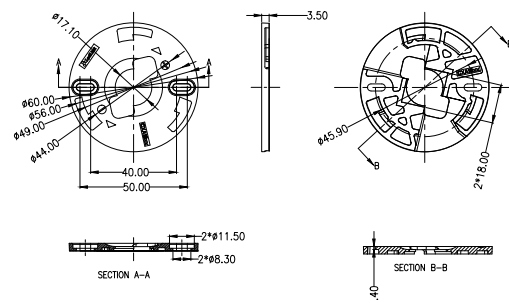
Part No LL01ZZ-DUG××L02-M2  
Holder LL01ZZAAG90H2  
Connector LL90A00SWBB2  
LED CREE CXA1520

Fixing Method



## Connector Dimension

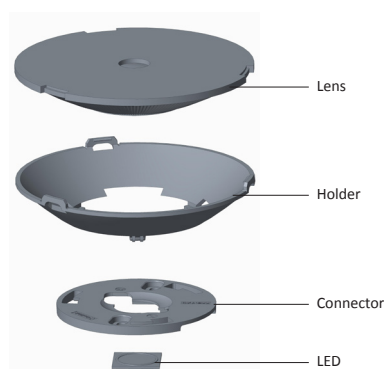
LL90A00SWAB2



## Assembly Instruction

Part No LL01ZZ-DUG××L02-M2  
Holder LL01ZZAAG90H2  
Connector LL90A00SWAB2  
LED CREE CXA1820

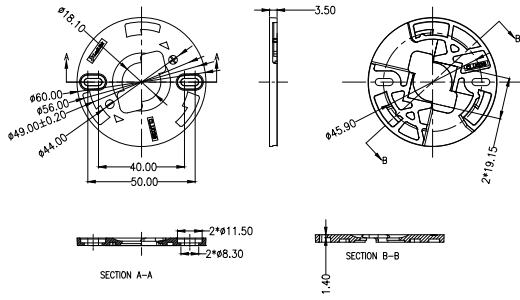
Fixing Method



## Connector Dimension



LL90A00SVSB2



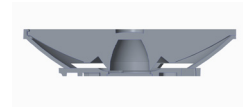
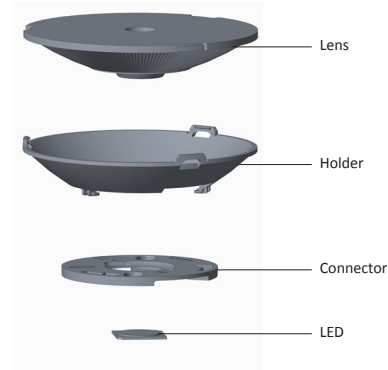
## Assembly Instruction

Fixing Method

Part No LL01ZZ-DUGxxL02-M2  
Holder LL01ZZAAG90H2  
Connector LL90A00SVSB2  
LED CITIZEN CLU038



Luminaire  
Accessories



# Photometric Distribution



**CREE**  
CXA1520



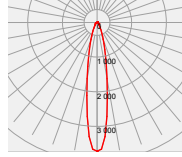
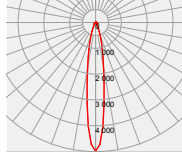
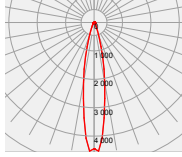
**CREE**  
CXA1820



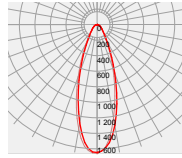
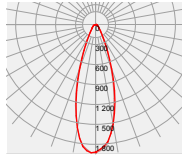
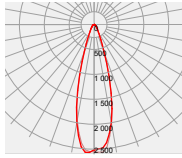
**CITIZEN**  
CLU038

**LED**

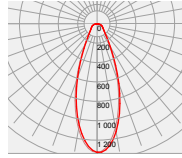
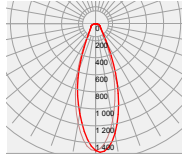
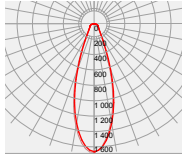
15°



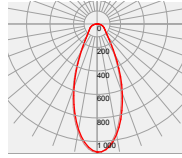
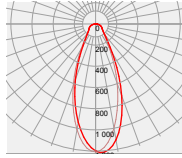
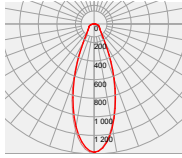
24°



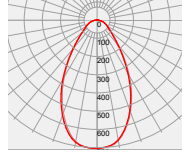
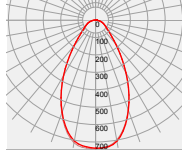
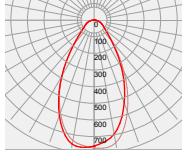
38°










45°






60°

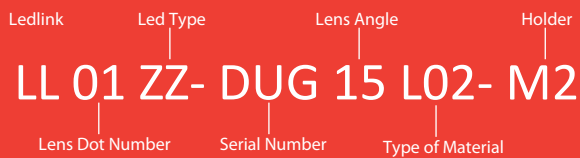


# Details by LED

Part No	Holder	Connector	LED Size	LED
LL01ZZ-DUGxxL02-M2	 LL01ZZAAG90H2	 LL90A00SWBB2	LES Ø8.9	 <b>CREE</b> CXA1520
		 LL90A00SWAB2	LES Ø16	 <b>CREE</b> CXA1820
		 LL90A00SVSB2	LES Ø14.5	 <b>CITIZEN</b> CLU038

LED	Part No	FWHM	cd / lm	IES
 <b>CREE</b> CXA1520	LL01ZZ-DUG15L02-M2	19°	4.5	↓
	LL01ZZ-DUG24L02-M2	29°	2.5	↓
	LL01ZZ-DUG38L02-M2	34°	1.6	↓
	LL01ZZ-DUG45L02-M2	37°	1.3	↓
	LL01ZZ-DUG60L02-M2	57°	0.7	↓
 <b>CREE</b> CXA1820	LL01ZZ-DUG15L02-M2	15°	4.9	↓
	LL01ZZ-DUG24L02-M2	33°	1.9	↓
	LL01ZZ-DUG38L02-M2	36°	1.5	↓
	LL01ZZ-DUG45L02-M2	41°	1.2	↓
	LL01ZZ-DUG60L02-M2	59°	0.7	↓
 <b>CITIZEN</b> CLU038	LL01ZZ-DUG15L02-M2	18°	3.7	↓
	LL01ZZ-DUG24L02-M2	34°	1.6	↓
	LL01ZZ-DUG38L02-M2	38°	1.3	↓
	LL01ZZ-DUG45L02-M2	43°	1.0	↓
	LL01ZZ-DUG60L02-M2	60°	0.7	↓

## Product Nomenclature



### Ledlink Optics, Inc

Taiwan HQ

15F, No.655, Bannan Rd., Chung-Ho Dist.,  
New Taipei City, Taiwan 235

### Ledlink Optics (Dongguan) Co., Ltd

Dongguan Factory

No.5, TianKeng Industrial Dist., HengLiTown, DongGuan City,  
GuangDong Province, China 523478

### Ledlink Optics (Yangzhou) Co., Ltd

Yangzhou Factory

No.180, LinJiang Rd., YangZhou City, Jiangsu Province, China 225009

[www.ledlink-optics.com](http://www.ledlink-optics.com)

[service@ledlink-optics.com](mailto:service@ledlink-optics.com)

