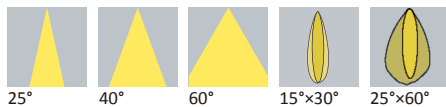


Datasheet

DYJ Series

Available Distribution



Dimensions

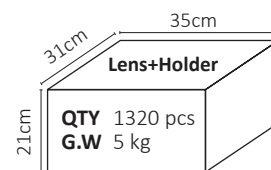
Part Number	Diameter	Height
LL01ZZ-DYJ××L06-U×	Ø21	14.25
LL01CR-DYJ××L06-U×-T	Ø21	14.35

*All dimensions are in millimeters.

LED



Packaging Details (SPQ)



Recommand Applications



General Information



Accessories



- Lens Material PMMA 8N
- Operating Temperature -40°C~+70°C
- UL Flammability HB @1.5mm
- UL RTI Elec 90°C @1.5mm
- Light Transmission Rate 400nm~900nm > 90%
- ☑ If necessary, Clean lenses with mild soap, water and soft cloth.
- ⚠ Never use any commercial cleaning solvents on lenses, like alcohol.
- 🧤 Please handle or install lenses with wearing gloves, skin oils may damage lens or its optical characteristic.

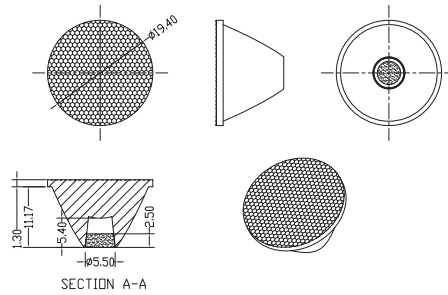
- Available with Holder
LL01CRWY40H×
LL01CRABU01H2
- Available with Tape
LL01A00XHUX

Mechanical Specification

*All dimensions are in millimeters.

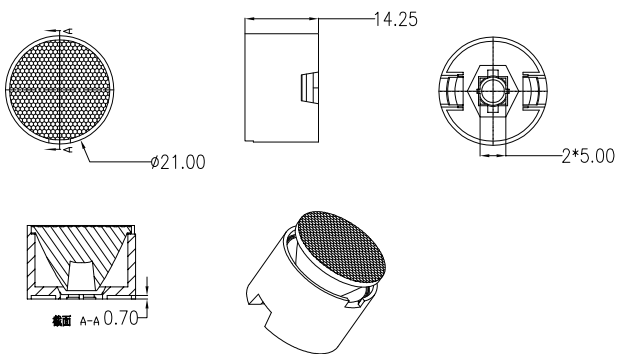
Lens Dimension

LL01CR-DYJ××L06



Holder Dimension

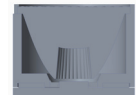
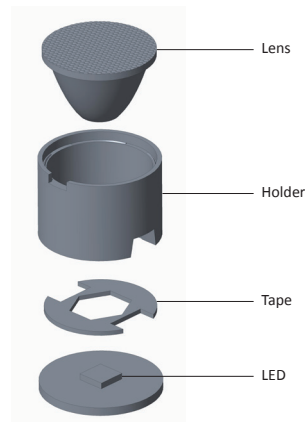
LL01CRWY40H×



Assembly Instruction

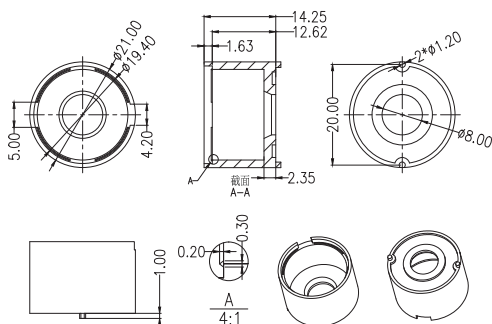
Part No LL01CR-DYJ××L06-U×-T
Holder LL01CRWY40H×
Tape LL01A00XHUX

Fixing Method



Holder Dimension

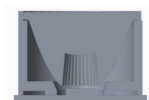
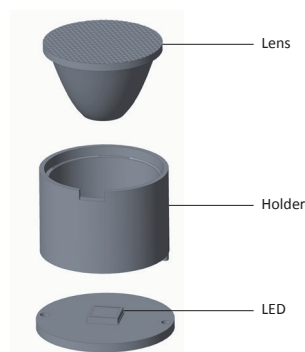
LL01CRABU01H2



Assembly Instruction

Part No LL01ZZ-DYJ××L06-U×
Holder LL01CRABU01H2

Fixing Method



Photometric Distribution

CR-DYJ

ZZ-DYJ

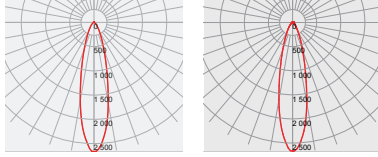


CREE
CLQ6A

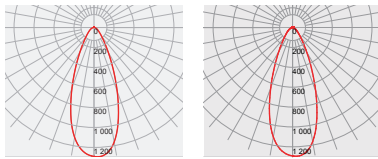
CREE
CLQ6A

LED

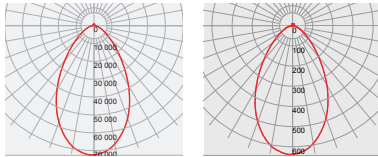
25°



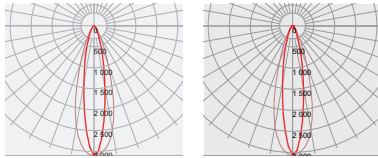
40°



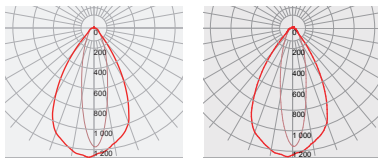
60°



15°×30°

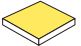


25°×60°

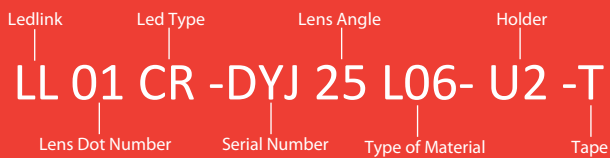


Details by LED

Part No	Holder	Tape	LED Package Size	LED
LL01CR-DYJxxL06-Ux-T	 LL01CRWY40Hx	 LL01A00XHUX	5052	 CREE CLQ6A
LL01ZZ-DYJxxL06-Ux	 LL01CRABU01H2	-		

LED	Part No	FWHM	cd / lm	IES
 CREE CLQ6A	LL01CR-DYJ25L06-Ux-T	24°	2.6	↓
	LL01CR-DYJ40L06-Ux-T	40°	1.2	↓
	LL01CR-DYJ60L06-Ux-T	64°	0.7	↓
	LL01CR-DYJ1530L06-Ux-T	18°×31°	3.0	↓
	LL01CR-DYJ2560L06-Ux-T	61°×25°	1.2	↓
	LL01ZZ-DYJ25L06-Ux	24°	2.6	↓
	LL01ZZ-DYJ40L06-Ux	40°	1.2	↓
	LL01ZZ-DYJ60L06-Ux	64°	0.6	↓
	LL01ZZ-DYJ1530L06-Ux	18°×32°	3.0	↓
	LL01ZZ-DYJ2560L06-Ux	61°×25°	1.2	↓

Product Nomenclature



Ledlink Optics, Inc

Taiwan HQ

15F, No.655, Bannan Rd., Chung-Ho Dist.,
New Taipei City, Taiwan 235

Ledlink Optics (Dongguan) Co., Ltd

Dongguan Factory

No.6, Gaoxin Road, Tiankeng, Hengli Town, Dongguan City,
Guangdong Province, China 523478

Ledlink Optics (Yangzhou) Co., Ltd

Yangzhou Factory

No.180, LinJiang Rd., Yangzhou City, Jiangsu Province, China 225009

www.ledlink-optics.com

service@ledlink-optics.com

