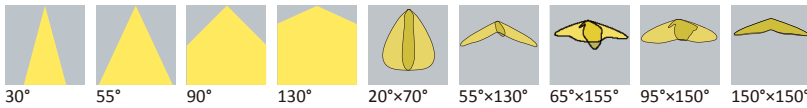




Datasheet CYT Series

Available Distribution





LED



Recommad Applications



General Information

PMMA 70°C -40°C	PC 110°C -40°C	PMMA 8N HB 1.5mm RTI 90°C	PC LEV1700K V-2 1.5mm RTI 130°C	PC LUX 2180T V-2 1.5mm RTI 130°C	 400nm~900nm > 90%	
------------------------------	-----------------------------	--	--	---	---	---

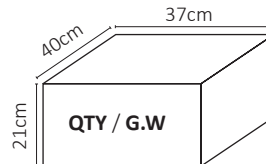
- Lens Material L02: PC LEV1700KL / L06: PMMA 8N / L52: PC LUX2180T
- Operating Temperature PMMA: -40°C~+70°C / PC: -40°C~+110°C
- UL Flammability PMMA: HB @1.5mm / PC : V-2 @1.5mm
- UL RTI Elec PMMA: 90°C @1.5mm / PC : 130°C @1.5mm
- Light Transmission Rate 400nm~900nm > 90%
- ☑ If necessary, Clean lenses with mild soap, water and soft cloth.
- ⚠ Never use any commercial cleaning solvents on lenses, like alcohol.
- ⚠ Please handle or install lenses with wearing gloves, skin oils may damage lens or its optical characteristic.

Dimensions

Part Number	Height	LxW
LL08CR-CYT30L52	7.39	
LL08CR-CYT55L52	7	
LL08CR-CYT90L52	6.93	
LL08CR-CYT130L06	6.44	
LL08CR-CYT2070L06	7.80	50x50
LL08CR-CYT55130L02	6.43	
LL08CR-CYT65155Lxx	5.87	
LL08CR-CYT95150L02	5.92	
LL08CR-CYT150150L02	5.25	
LL08LU-CYT30L52	7.5	49.48x49.48

*All dimensions are in millimeters.

Packaging Details (SPQ)



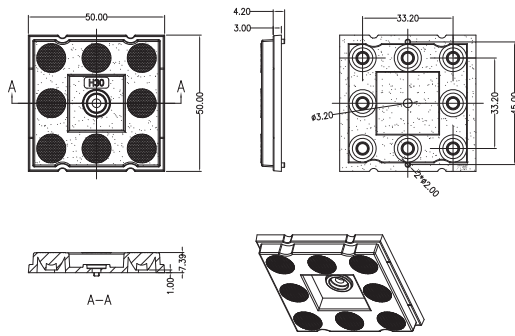
Part Number	QTY	G.W
LL08CR-CYT30L52	1008 pcs	12 kg
LL08CR-CYT55L52	1176 pcs	13 kg
LL08CR-CYT90L52		
LL08CR-CYT130L06		
LL08CR-CYT2070L06		
LL08CR-CYT55130L02	612 pcs	8 kg
LL08CR-CYT65155Lxx		
LL08CR-CYT95150L02		
LL08CR-CYT150150L02		
LL08LU-CYT30L52	1080 pcs	13 kg

Mechanical Specification

*All dimensions are in millimeters.

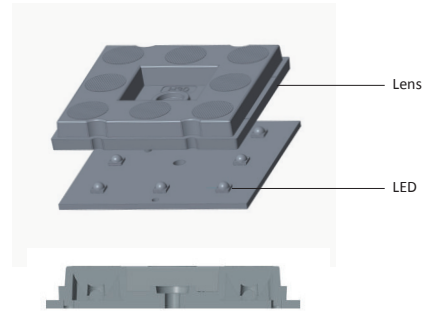
Lens Dimension

LL08CR-CYT30L52



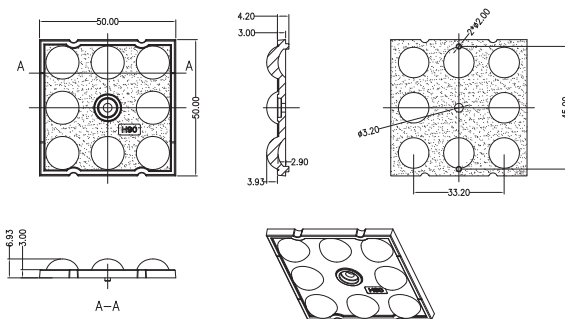
Assembly Instruction

Fixing Method



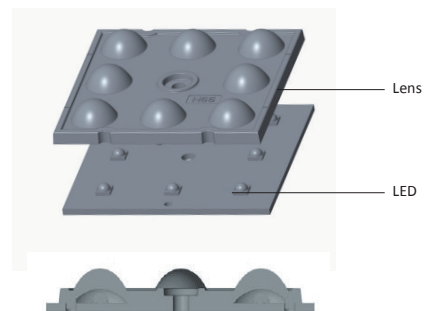
Lens Dimension

LL08CR-CYT××L52 (55°/90°)



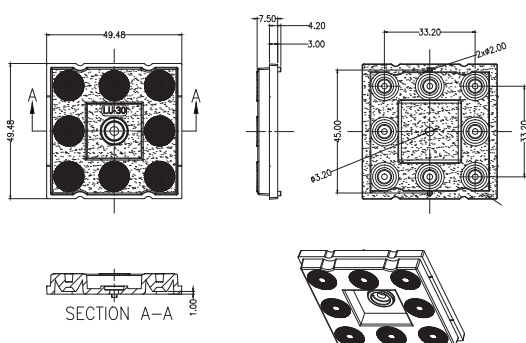
Assembly Instruction

Fixing Method



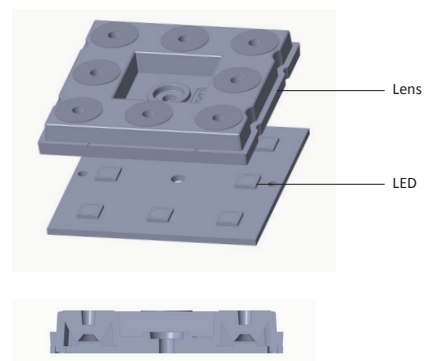
Lens Dimension

LL08LU-CYT30L52



Assembly Instruction

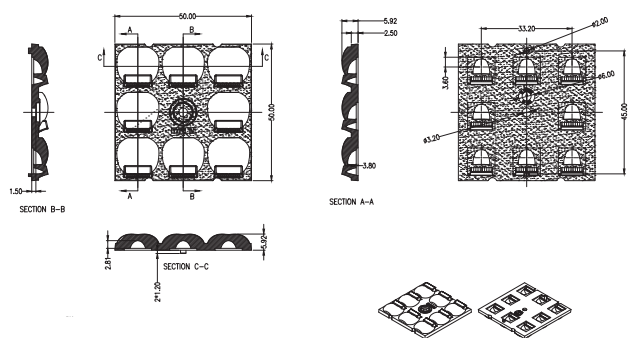
Fixing Method



Lens Dimension

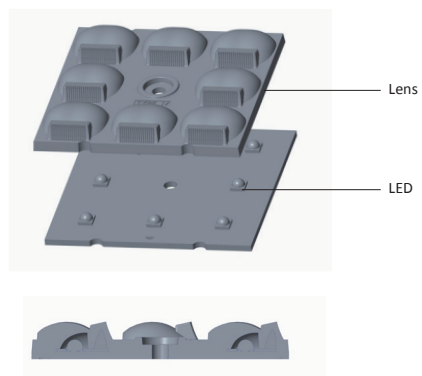


LL08CR-CYT95150L02



Assembly Instruction

Fixing Method



Photometric Distribution



CREE
XP-G3



LUMILEDS
LUXEON 5050


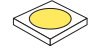





CREE
XT-E

Distribution

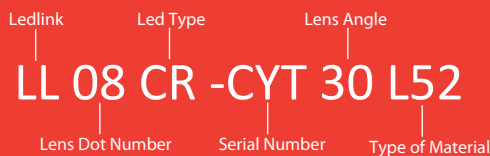
	CREE XP-G3	LUMILEDS LUXEON 5050	CREE XT-E
30°			-
55°		-	-
90°		-	-
130°	-	-	
20°x70°	-	-	
55°x130°	-	-	
65°x155°	-	-	
95°x150°	-	-	
150°x150°	-	-	

Details by LED

Part No	Accessories	LED Package Size	LED
LL08CR-CYTxxLxx	-	3535	 CREE XP-G3 CREE XT-E
LL08LU-CYT30L52	-	5050	 LUMILEDS LUXEON 5050

LED	Part No	TYPE	FWHM	cd / lm	IES
 CREE XP-G3	LL08CR-CYT30L52	-	31°	2.3	↓
	LL08CR-CYT55L52	-	57°	0.7	↓
	LL08CR-CYT90L52	-	91°	0.4	↓
 LUMILEDS LUXEON 5050	LL08LU-CYT30L52	-	30°	1.1	↓
 CREE XT-E	LL08CR-CYT130L06	VS-Short	120°×118°	0.3	↓
	LL08CR-CYT2070L06	-	21°×76°	1.1	↓
	LL08CR-CYT55130L02	I-Short	52°×127°	1.1	↓
	LL08CR-CYT65155L02	III-Medium	79°×154°	0.6	↓
	LL08CR-CYT65155L06	III-Medium	79°×146°	0.5	↓
	LL08CR-CYT95150L02	IV-Short	128°×145°	0.4	↓
	LL08CR-CYT150150L02	VS-Short	144°×144°	0.4	↓

Product Nomenclature



Ledlink Optics, Inc

Taiwan HQ

15F, No.655, Bannan Rd., Chung-Ho Dist.,
New Taipei City, Taiwan 235

Ledlink Optics (Dongguan) Co., Ltd

Dongguan Factory

No.6, Gaoxin Road, Tiankeng, Hengli Town, Dongguan City,
Guangdong Province, China 523478

Ledlink Optics (Yangzhou) Co., Ltd

Yangzhou Factory

No.180, LinJiang Rd., Yangzhou City, Jiangsu Province, China 225009

www.ledlink-optics.com

service@ledlink-optics.com

