

LL01XP-DGxxL-Mx Data Sheet

For CREE Multi-Color and Single-Color LEDs



Features:

- High efficiency
- Available in 5 beam Patterns
- Optimized for uniform effects
- Lens with Housing

Typical applications :

- Stage Lighting
- Street Lights
- Decorative Light
- Architectural Lighting
- Down Light

Table of Contents

General Information.....	2
General Specifications.....	2
Optical Specifications.....	3
Mechanical Specifications.....	4
Illumination charts.....	5
Package Specifications.....	6
Product Nomenclature.....	7

Optical Specifications [Typical beam Angle and intensity (cd/w) of LL01 lens]

• CREE XP-E LED

Typical Cone Angle (degree) ⁽³⁾ with CREE XP-E			
Part Number	Red LEDs	Green LEDs	Blue LEDs
LL01XP-DG20L-M2	--	--	--
LL01XP-DG30L-M2	--	--	--
LL01XP-DG40L-M2	--	--	--
LL01XP-DG50L-M2	--	--	--
LL01XP-DG60L-M2	--	--	--

The typical cone angle measures where the luminous intensity is 90% of the peak value of intensity. This typical cone varies with LED color due to different chip size and chip position tolerance.

Typical on axis intensity (cd/w) ⁽⁴⁾ with CREE XP-E			
Part Number	Red LEDs	Green LEDs	Blue LEDs
LL01XP-DG20L-M2	--	--	--
LL01XP-DG30L-M2	--	--	--
LL01XP-DG40L-M2	--	--	--
LL01XP-DG50L-M2	--	--	--
LL01XP-DG60L-M2	--	--	--

Luminous intensity depends on the flux binning and tolerance of the LEDs. Please refer to the LEDs data sheet for more details on Flux binning and mechanical tolerance.

• CREE XP-E LED

Typical Cone Angle (degree) ⁽³⁾ with CREE XP-E			
Part Number	White LEDs	Warm white LEDs	
LL01XP-DG20L-M2	18	18	
LL01XP-DG30L-M2	38	34	
LL01XP-DG40L-M2	43	41	
LL01XP-DG50L-M2	43	45	
LL01XP-DG60L-M2	52	58	

The typical cone angle the full angle measured where the luminous intensity is 90% of the peak value of intensity. That typical cone varies with LED color due to different chip size and chip position tolerance.

Typical on axis intensity (cd/w) ⁽⁴⁾ with CREE XP-E			
Part Number	White LEDs	Warm white LEDs	
LL01XP-DG20L-M2	1895	510	
LL01XP-DG30L-M2	1110	800	
LL01XP-DG40L-M2	485	360	
LL01XP-DG50L-M2	400	270	
LL01XP-DG60L-M2	280	210	

Luminous intensity depends on the flux binning and tolerance of the LEDs. Please refer to the LEDs data sheet for more detail on Flux binning and mechanical tolerance

Notes:

(3) The typical divergence will be changed by different color, chip size and chip position tolerance. The typical total divergence is the full angle measured where the luminous intensity is half of the peak value.

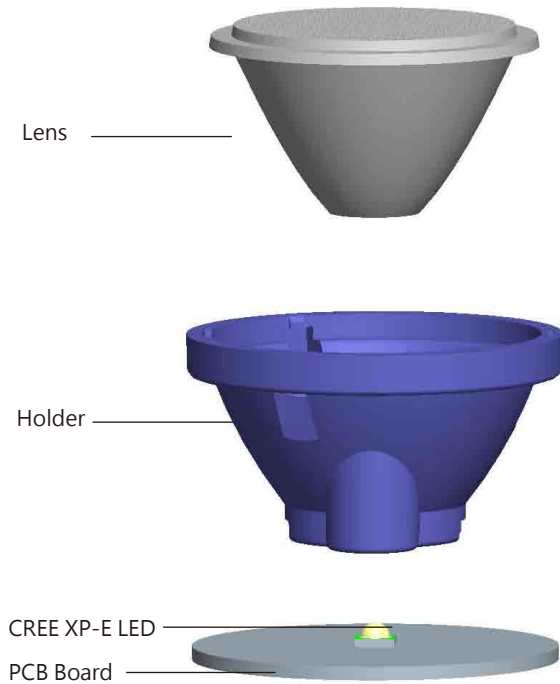
(4) The efficiency value listed above is the total value of the whole lens model, the value depends on the total flux of the LED used. Luminous intensity depends on the LEDs flux and its tolerances, for more details of LED flux, please check Cree data sheet at www.cree.com.

Mechanical Specifications

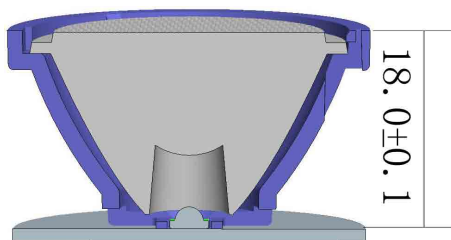
Usage and Maintenance :

1. If necessary, clean lenses with mild soap, water and soft cloth
2. Never use any commercial cleaning solvents on lenses, like alcohol
3. Please handle or install lenses with wearing gloves, skin oils may damage lens or its optical characteristic.

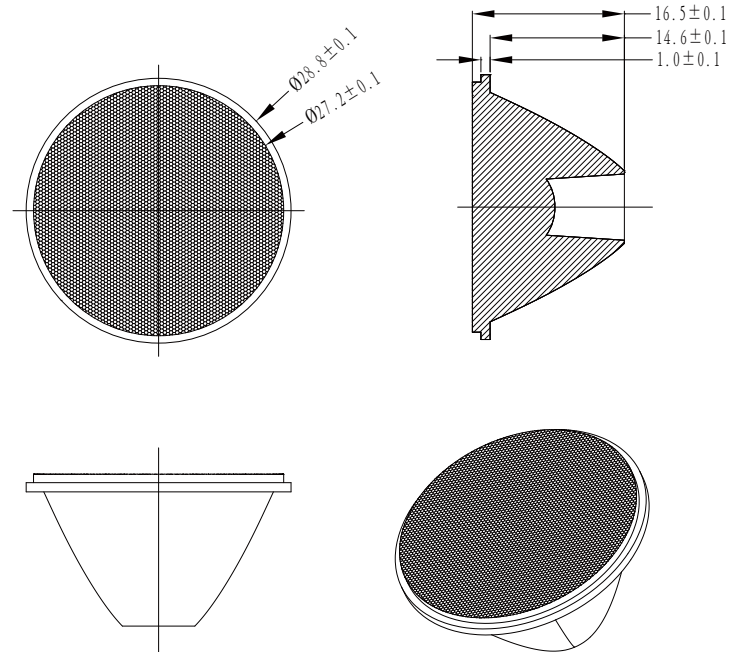
1. Lens + Leds+MCPCB assembly instruction



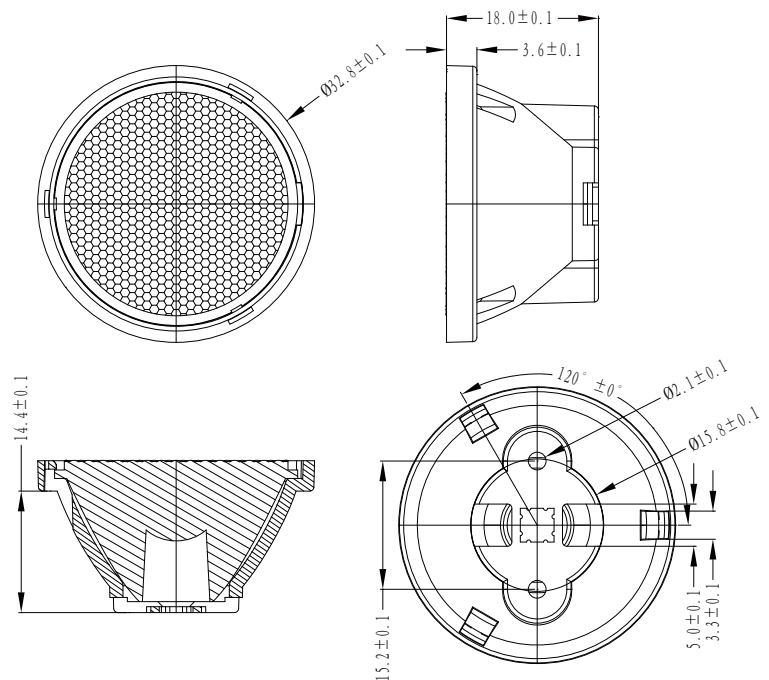
2. View assembly lens with MCPCB:



3. Lens dimensions and Top Views:



4. Lens assembly Dimensions and Top Views :



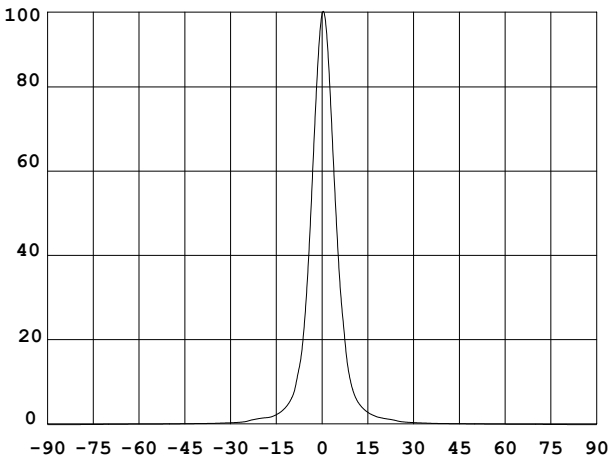
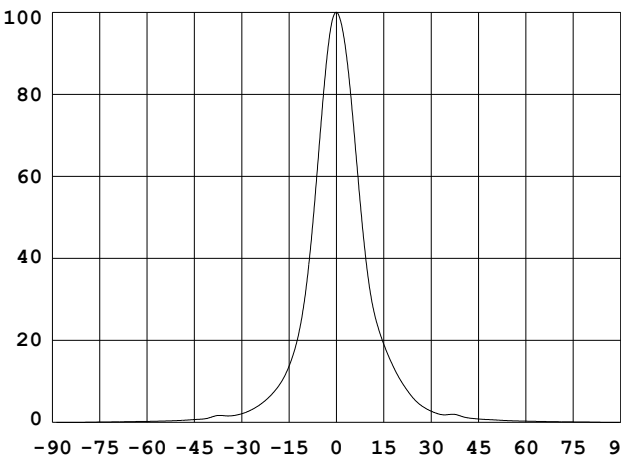
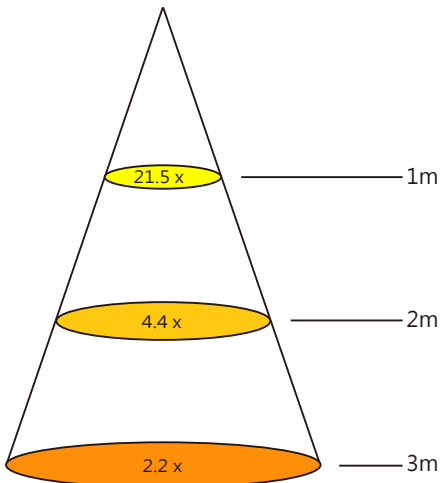
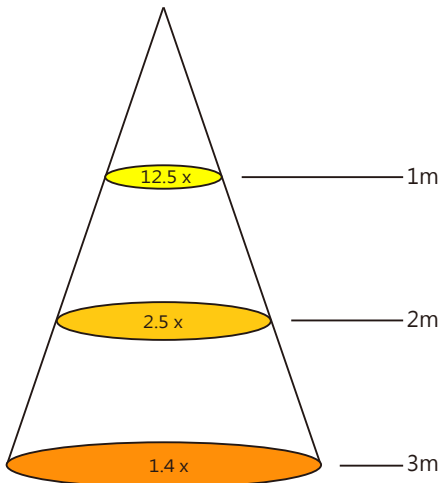


Notes:

- (1) All dimensions are in mm.
- (2) Drawing not to scale.
- (3) Collimator material is PMMA.

Illumination charts



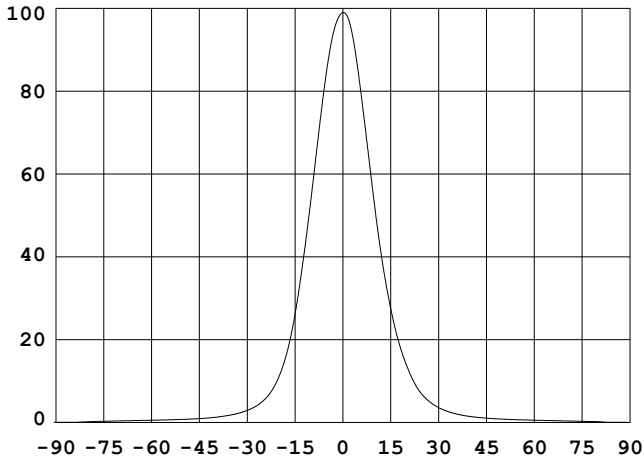
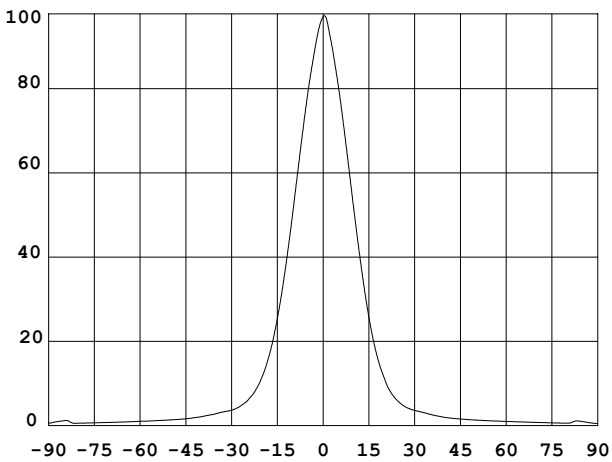
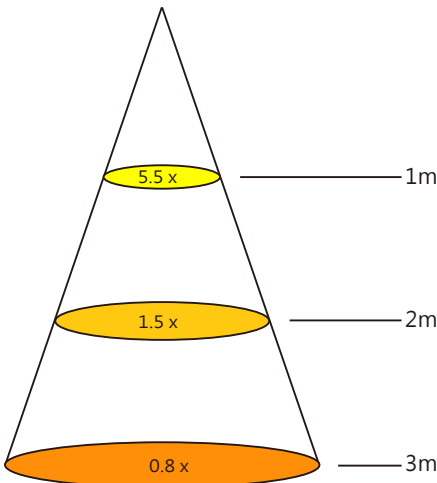
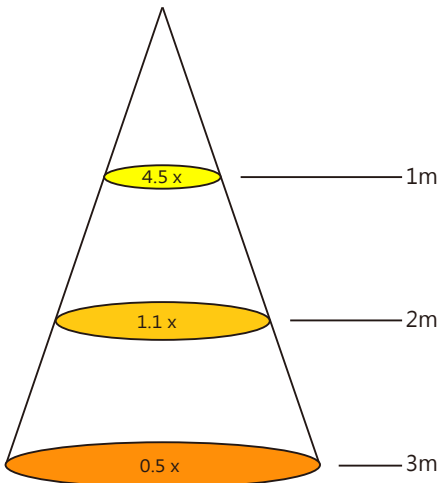
*CREE single white LED: CREE XP-E

LL01XP-DG20L-M2	LL01XP-DG30L-M2
1. Beam Pattern	1. Beam Pattern
	
2. Light Distribution Curve	2. Light Distribution Curve
	
3. Illuminance	3. Illuminance
	

Notes: The Flux of CREE XP-E LED is 88 lm

Illumination charts


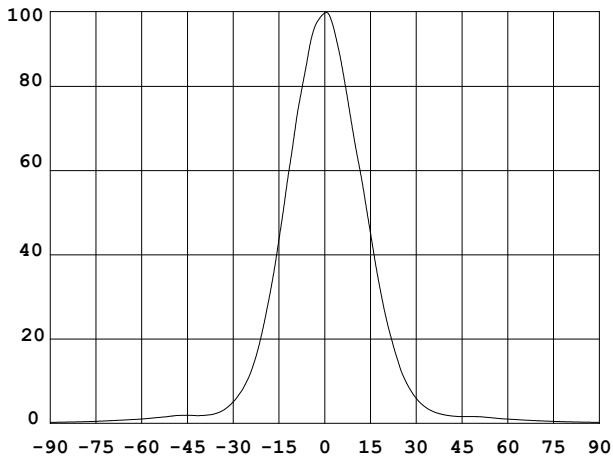
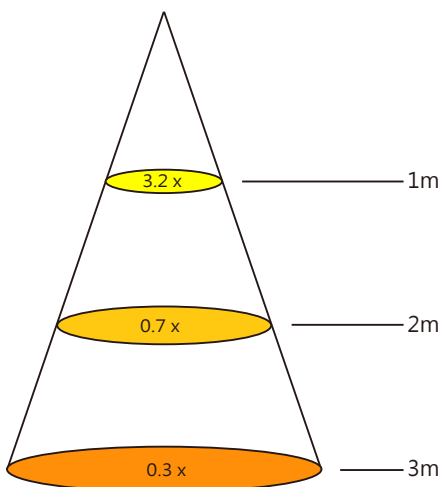
*CREE single white LED: CREE XP-E

LL01XP-DG40L-M2	LL01XP-DG50L-M2
1. Beam Pattern	1. Beam Pattern
	
2. Light Distribution Curve	2. Light Distribution Curve
	
3. Illuminance	3. Illuminance
	

Notes: The Flux of CREE XP-E LED is 88 lm

Illumination charts

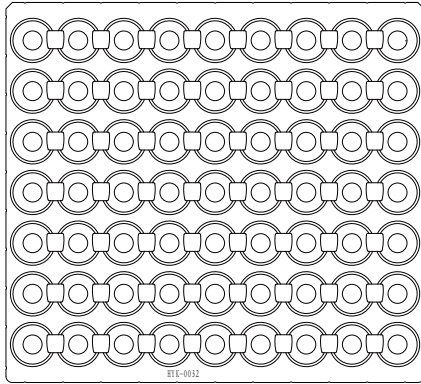
*CREE single white LED: CREE XP-E

LL01XP-DG60L-M2	
1. Beam Pattern	
	
2. Light Distribution Curve	
	
3. Illuminance	
	

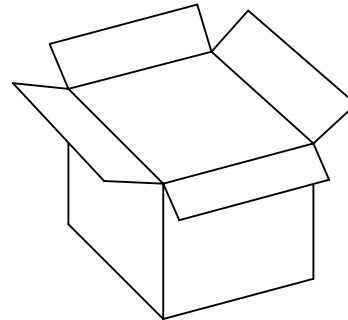
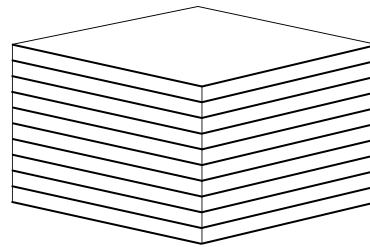
Notes: The Flux of CREE XP-E LED is 88 lm

Package

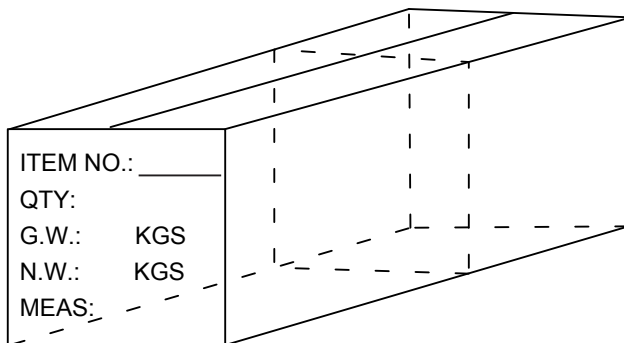
Item	Quantity	Total	Size (long*width* high)
Tray	63	63pcs	34*30*3.5 cm
Inner box	10tray/box	630pcs	35*31*21 cm
Outer box	2 Inner box/outer box	1260pcs	64.7*36.5*24 cm



63pcs/tray



630pcs/inner box



1260pcs/outer box

Product Nomenclature

