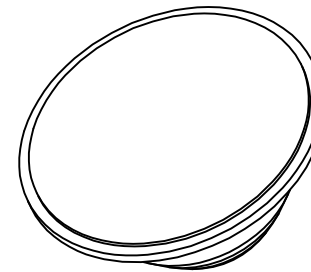
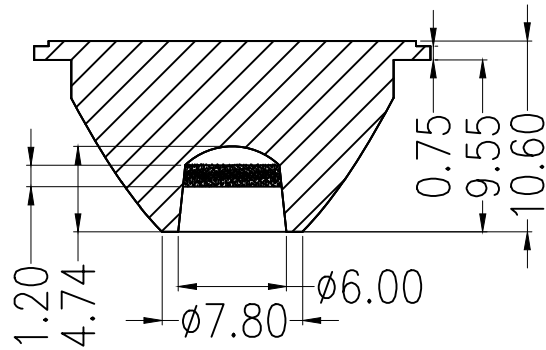
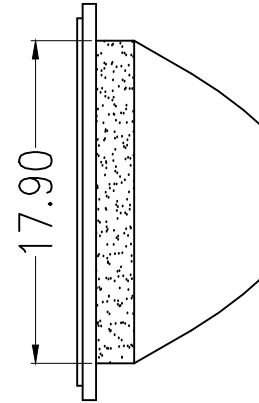
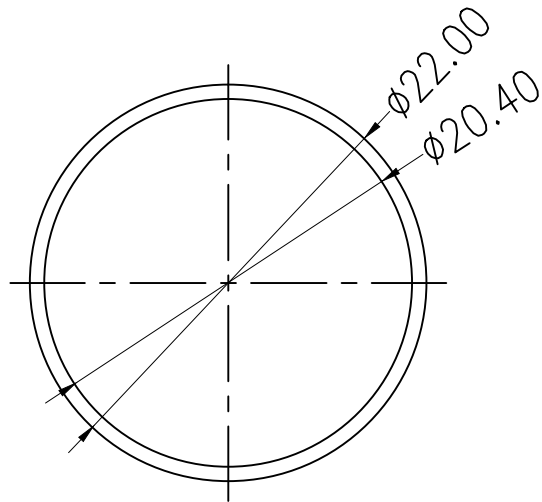


DRAW	REV	DATE	DESCRIPTION



GENERAL TOLERANCES (UNLESS STATED)		Crucial point	 <b>LedLink Optics, Inc.</b> <small>Linking LEDs to The Real World.</small>					
LINEAR	ANGULAR	Expect mark	TITLE	UNIT	MM	DATE	2010-09-02	
X +/-0.20	X +/-1°	LL01ZZ-FL10L06	LL01ZZ-FL10L06	APPROVED	MATERIAL	PMMA V825	REV	2.4
X.X +/-0.15	X.X +/-0.5°	CHECK	DRAWING	郭柳建	SCALE	FIT	 Third Angle Projection	
X.XX +/-0.10	X.XX +/-0.1°							