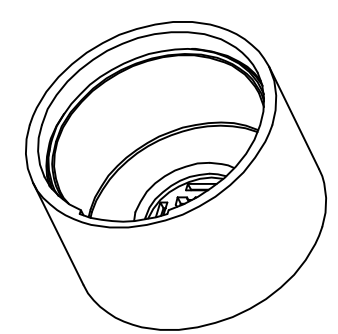
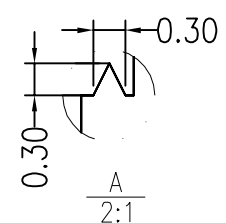
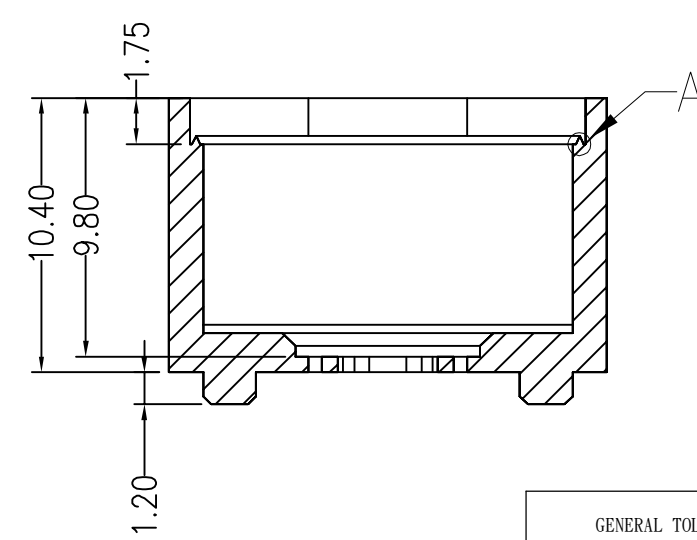
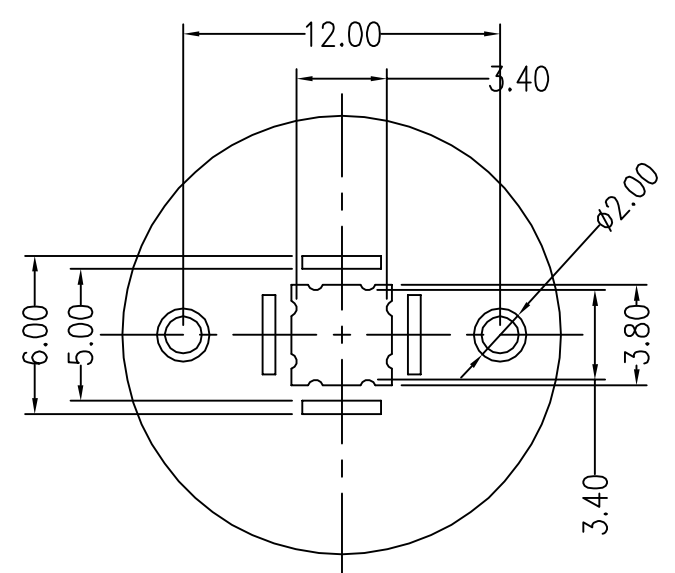
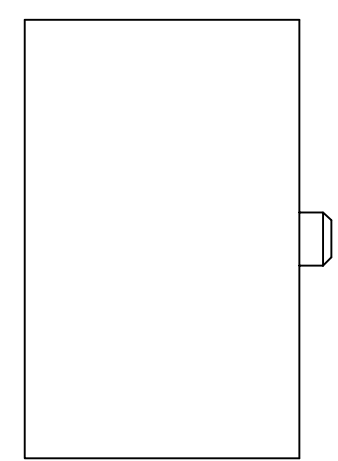
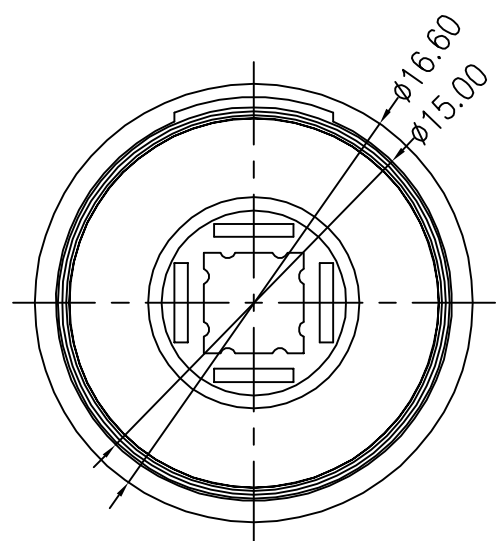


DRAW	REV	DATE	DESCRIPTION
郭柳建	△1	2010/12/10	产品内侧面底部减胶0.1MM
郭柳建	△2	2011/01/11	产品内部结构更改



GENERAL TOLERANCES (UNLESS STATED)		Project NO.	 LedLink Optics, Inc. <small>Linking LEDs to The Real World.</small>			
LINEAR	ANGULAR	Expect mark	TITLE	UNIT	mm	DATE
X +/-0.25	X +/-1°	LL01CRLP25H2	H103W			2011/01/11
X.X +/-0.20	X.X +/-0.5°		APPROVED	MATERIAL	PC	REV
X.XX +/-0.10	X.XX +/-0.1°		CHECK	SCALE	FIT	1.2
			DRAWING	郭柳建		 Third Angle Projection